

CONTENTS

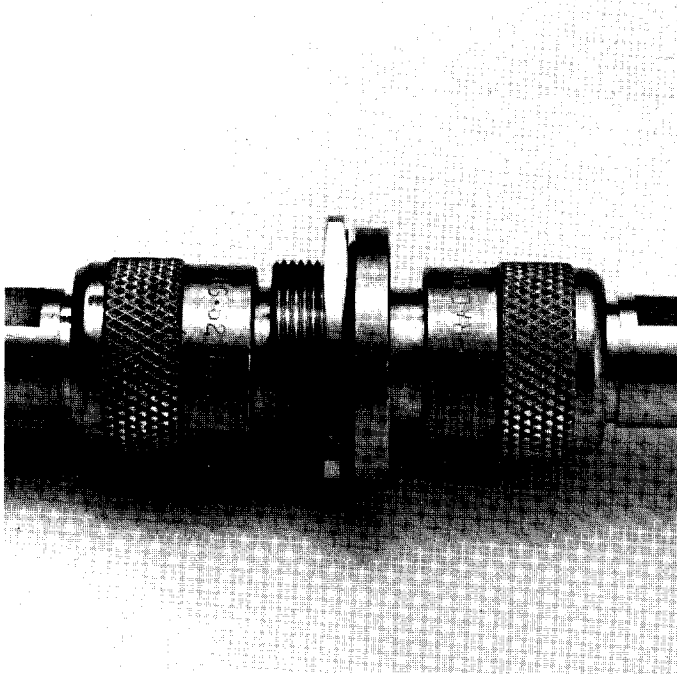
PAGE

C SERIES 50 Ω

General	3
Characteristics	4
Interface	5
Plugs / Jacks cable clamp type for flexible cable	6-7
Plug crimp type for flexible cable	8
Plug cable clamp type for semi-rigid cable	8
Receptacles	8
In series adapters	9-10
Cap	10
Accessories	10

LC SERIES 50 Ω

General	11
Characteristics	12
Plugs / Jacks cable clamp type for flexible cable	13-14
Receptacles	14
In series adapters	15
Cap	15
Mounting instructions	16-24
Applicable standard cables – Cables and corresponding connectors	25
Dimensions of applicable cables	26
Index of RADIALL P/N	27
Index of between series adapters	27

**50 Ω** **DC – 11 GHz maximum**
DC – 3 GHz recommended

GENERAL

Standard coaxial connectors with two pin bayonet coupling.

These connectors are fully interchangeable with connectors made to the US-MIL specification.

APPLICABLE STANDARDS

- MIL-C-39012 A
- MIL-C-3898 A
- MIL-C-23329 A
- IEC 169-7

QUALIFICATIONS / APPROVALS

- STTEA
- GAM T1 list

APPLICATIONS

- Avionics
- Telecommunications

C**CHARACTERISTICS**

VALUES/REMARKS

ELECTRICAL CHARACTERISTICS

Impedance	50 Ω
Frequency range	DC - 3 GHz recommended DC - 11 GHz maximum
V.S.W.R.	1.22 at 3 GHz
Test voltage at sea level	3 Kv continuous
Insulation resistance	> 5000 M Ω

MECHANICAL CHARACTERISTICS

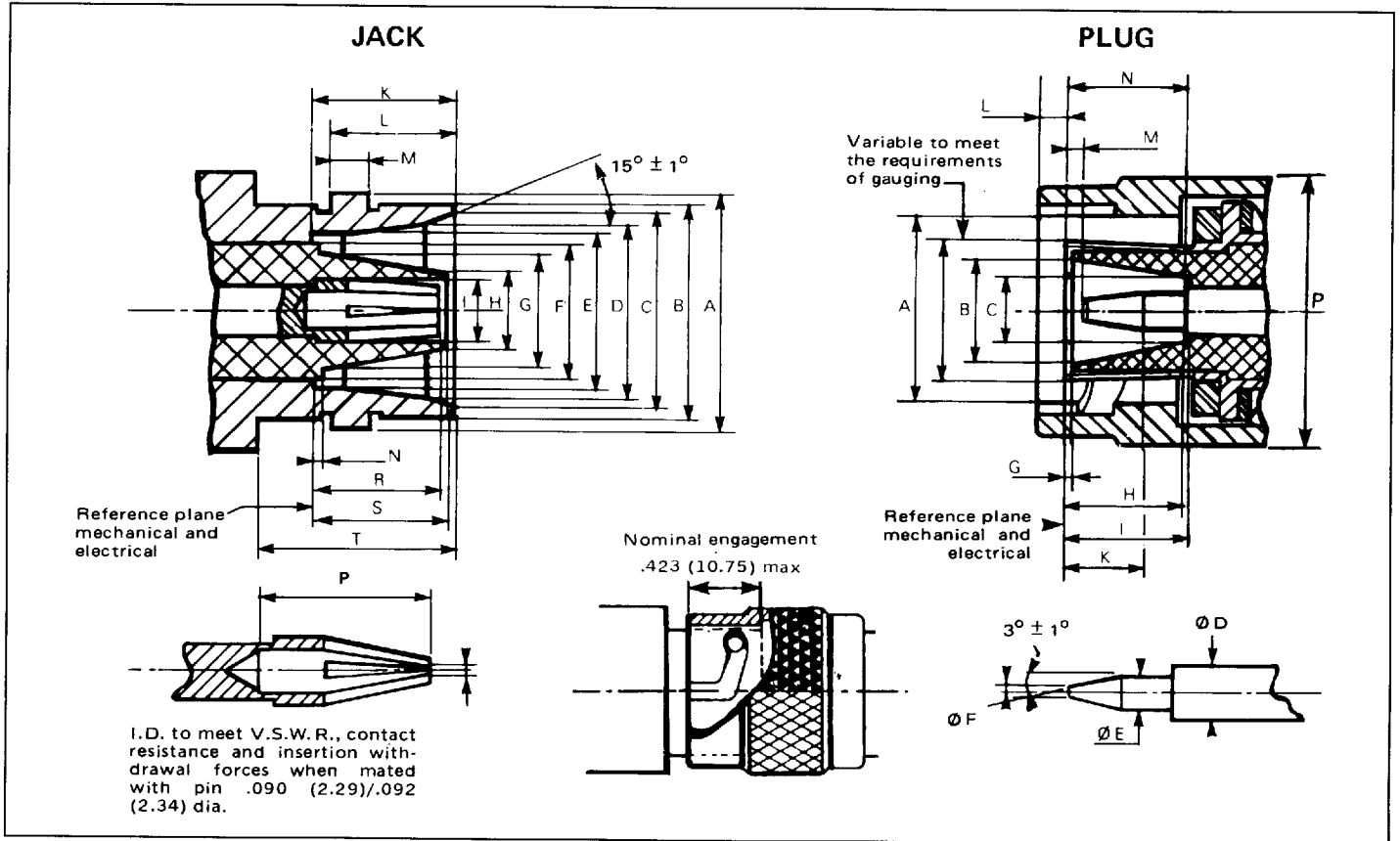
Life	500 matings
Vibrations	10 g (acceleration) 10 to 500 Hz

ENVIRONMENTAL CHARACTERISTICS

Temperature range	-55°C / + 155°C
Salt spray	48H
Panel sealing	Pressure : 3 Bars Leakage rate < 1 cm ³ / h
Hermeticity	Temperature range : -40°C / + 100° C Vacuum 10 ⁻⁶ mm Hg (Torr) Leakage rate < 10 ⁻⁶ atm/cm ³ /s

MATERIAL

Contacts and interfaces	Bronze
Other pieces	Brass
Insulator	PTFE
Gaskets	Silicone rubber

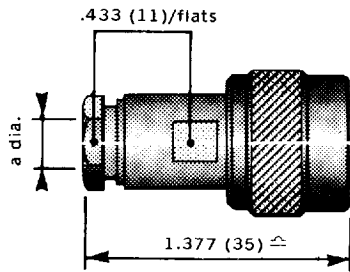


Letter	JACK				PLUG				Letter	JACK				PLUG			
	mm		inch		mm		inch			mm		inch		mm		inch	
	min.	max.	min.	max.	min.	max.	min.	max.		min.	max.	min.	max.	min.	max.	min.	max.
A	14.99	15.24	.590	.600	13.79	13.94	.543	.549	K	8.43	8.59	.332	.338	4.85	6.38	.191	.251
B	13.46	13.72	.530	.540	7.01	-	.276	-	L	7.80	7.95	.307	.313	-	2.16	-	.085
C	12.32	12.57	.485	.495	4.92	-	.194	-	M	2.24	2.49	.088	.098	0.09	1.02	.003	.040
D	11.18	11.43	.440	.450	3.02	3.15	.119	.124	N	-	0.18	-	.007	7.54	7.72	.297	.304
E	10.44	10.54	.411	.415	2.29	2.34	.090	.092	P	7.62	-	.300	-	-	19.84	-	.781
F	-	9.50	-	.374	-	1.27	-	.050	Q	-	-	-	-	-	-	-	-
G	-	6.91	-	.272	0.18	-	.007	-	R	6.93	7.70	.273	.303	-	-	-	-
H	-	4.83	-	.190	7.80	8.56	.307	.337	S	-	7.85	-	.309	-	-	-	-
I	3.02	3.15	.119	.124	7.85	-	.309	-	T	12.57	-	.495	-	-	-	-	-

C

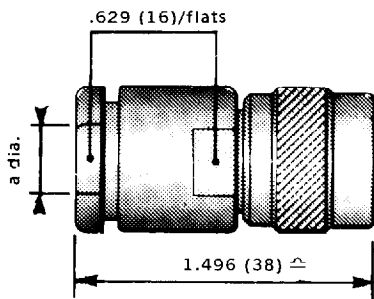
CABLE CLAMP TYPE FOR FLEXIBLE CABLE

Straight plugs



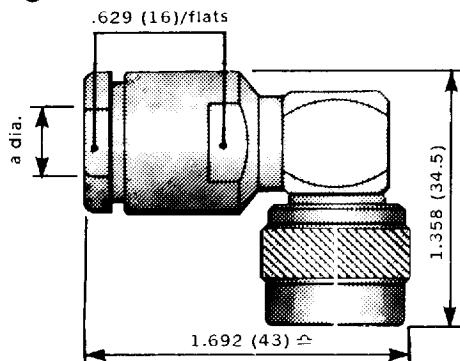
CABLE GROUP	5/50	6/75 + 93
PART NUMBER	R 166 005	R 166 012 •
MIL (UG)	UG 709 B/U	UG 627 B/U
a Dia.	.220 (5.6)	.255 (6.5)
Assembly code	M01 page 16	M02 page 16

Straight plug



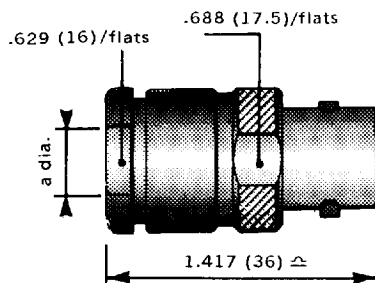
CABLE GROUP	10 + 11/50
PART NUMBER	R 166 018
MIL (UG)	UG 573 B/U
a Dia.	.440 (11.2)
Assembly code	M03 page 16

Right angle plug



CABLE GROUP	10 + 11/50
PART NUMBER	R 166 168
MIL (UG)	UG 710 B/U
a Dia.	.440 (11.2)
Assembly code	M04 page 16

Straight jack



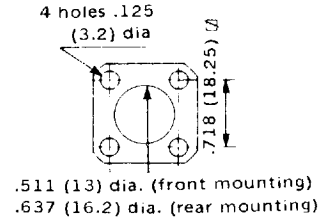
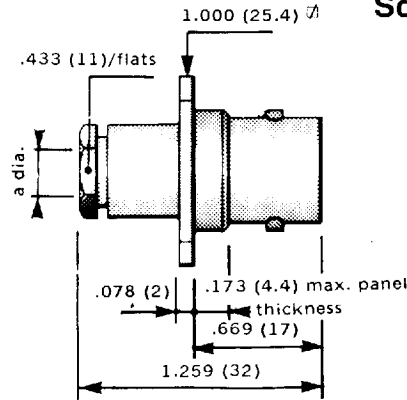
CABLE GROUP	10 + 11/50
PART NUMBER	R 166 218
MIL (UG)	UG 572 A/U
a Dia.	.440 (11.2)
Assembly code	M03 page 16

• Manufactured upon request. Please consult us.

CABLE CLAMP TYPE FOR FLEXIBLE CABLE

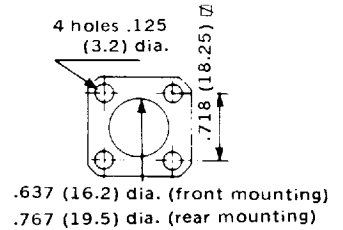
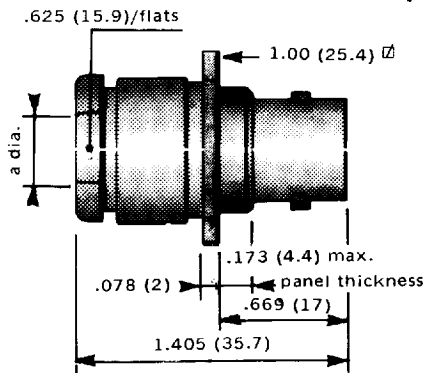
Square flange straight jack

CABLE GROUP	5/50	6/75 + 93
PART NUMBER	R 166 256	R 166 262 ●
a Dia.	.220 (5.6)	.255 (6.5)
Assembly code	M02 page 16	



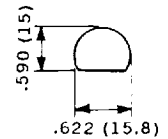
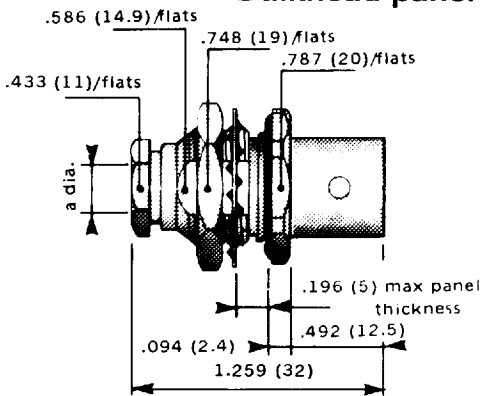
Square flange straight jack

CABLE GROUP	10 + 11/50	
PART NUMBER	R 166 268	
MIL (UG)	UG 571 A/U	
a Dia.	.440 (11.2)	
Assembly code	M03 page 16	



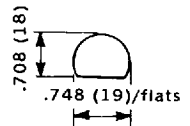
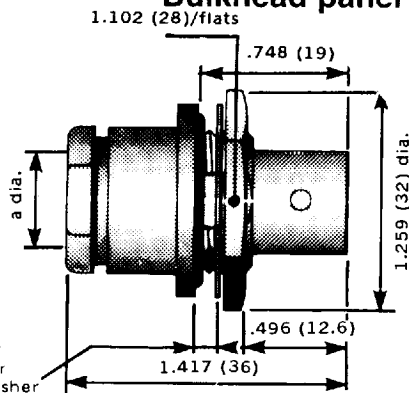
Bulkhead panel sealed straight jack

CABLE GROUP	5/50	6/75 + 93
PART NUMBER	R 166 326	R 166 328 ●
MIL (UG)	UG 631 A/U	
a Dia.	.220 (5.6)	.255 (6.5)
Assembly code	M02 page 16	



Bulkhead panel sealed straight jack

CABLE GROUP	10 + 11/50	
PART NUMBER	R 166 332	
MIL (UG)	UG 570 A/U	
a Dia.	.440 (11.2)	
Assembly code	M03 page 16	



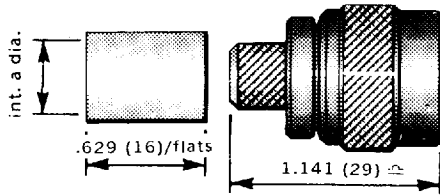
max. panel thickness
1 with washer
4 without washer

● Manufactured upon request. Please consult us.

C

CRIMP TYPE FOR FLEXIBLE CABLE

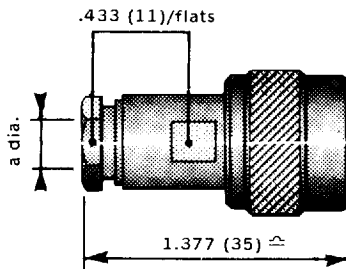
Straight plug



CABLE GROUP	10/50
PART NUMBER	R 166 075 ●
a Dia.	.417 (10.6)
Assembly code	M05 page 17

CABLE CLAMP TYPE FOR SEMI-RIGID CABLE

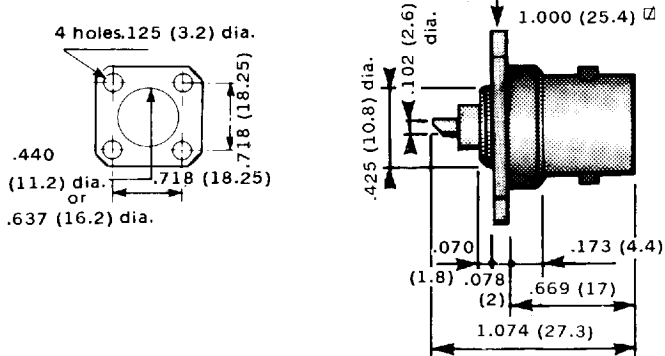
Straight plugs



CABLE GROUP	.141"	.250"
PART NUMBER	R 166 052 ●	R 166 053 ●
a Dia.	.143 (3.65)	.259 (6.6)
Assembly code	M06 page 18	M07 page 18

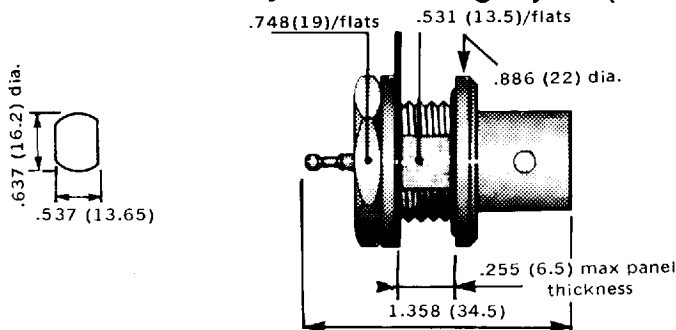
FLANGE AND BULKHEAD MOUNT RECEPTACLES

Square flange straight jack (solder pot)



CABLE GROUP	R 166 404
MIL (UG)	UG 568 /U

Bulkhead hermetically sealed straight jack (solder pot)



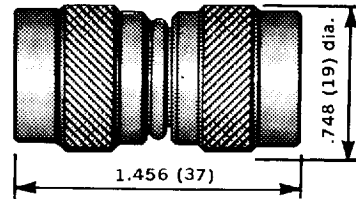
PART NUMBER	R 166 607 ●
-------------	--------------------

● Manufactured upon request. Please consult us.

IN SERIES ADAPTERS

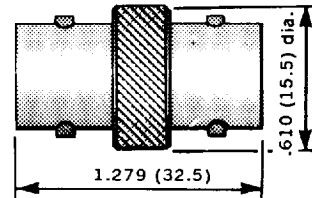
Straight plug/plug

PART NUMBER	R 166 703
MIL (UG)	UG 642 A/U



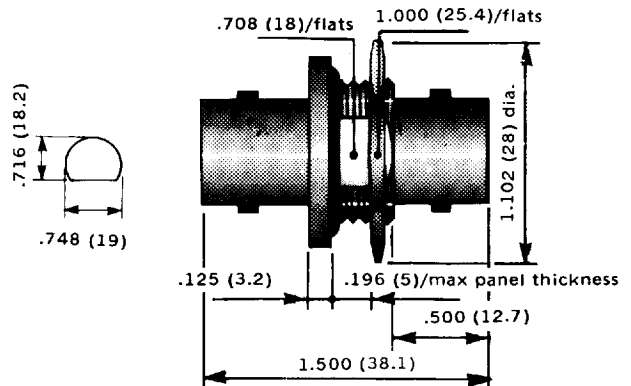
Straight jack/jack

PART NUMBER	R 166 705
MIL (UG)	UG 643 A/U



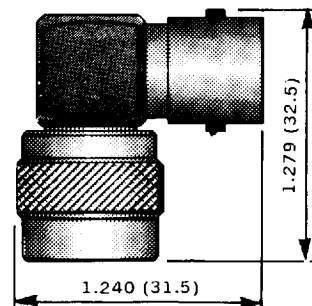
Bulkhead hermetically sealed straight jack/jack

PART NUMBER	R 166 753
MIL (UG)	UG 701 /U



Right angle plug/jack

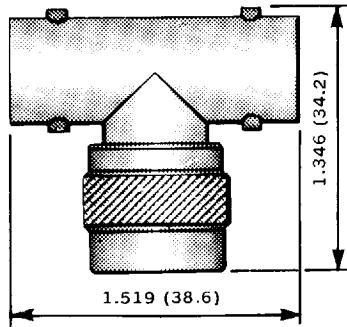
PART NUMBER	R 166 770
MIL (UG)	UG 567 A/U



C

IN SERIES ADAPTERS

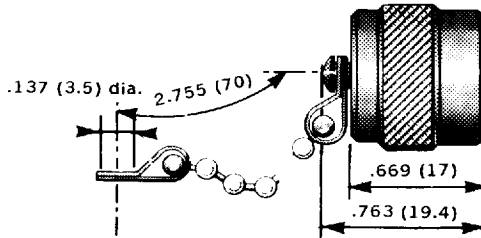
Jack-jack/plug tee



PART NUMBER	R 166 780 ●
MIL (UG)	UG 566 A/U

CAP

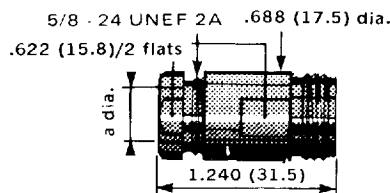
Plug dust cap (with chain)



PART NUMBER	R 166 811
MIL (UG)	MX 1142 /U

ACCESSORIES

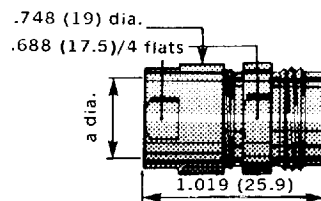
Cable clamp



CABLE GROUP	10 + 11/50
PART NUMBER	R 280 019
a Dia.	.440 (11.2)

Improve the cable retention incase of harch environment (bending or traction).

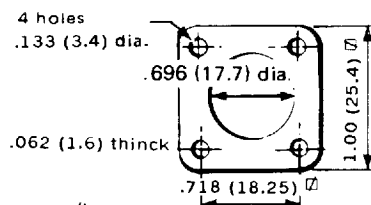
Armored cable clamp



CABLE GROUP	10/50 + 75
PART NUMBER	R 280 116 ●
a Dia.	.515 (13.1)

Improve the cable retention incase of harch environment (bending or traction).

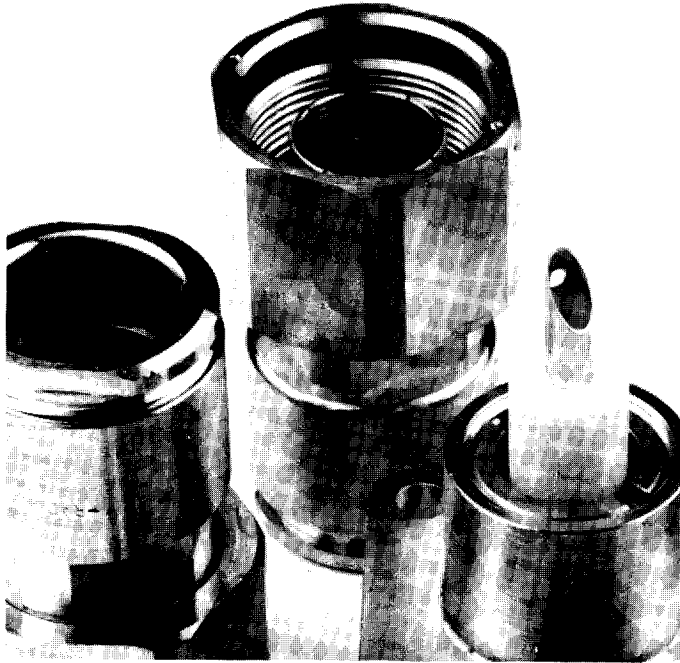
Neoprene flange gasket



PART NUMBER	R 280 505
-------------	------------------

Improve the panel sealing.

● Manufactured upon request. Please consult us.

50 Ω

DC – 5 GHz maximum

GENERAL

Standard coaxial connectors with screw coupling.

These connectors are fully interchangeable with connectors made to the US-MIL specification.

APPLICABLE STANDARDS

- MIL-C-3650
- MIL-C-3650 A

QUALIFICATIONS / APPROVALS

- GAM T1 list

APPLICATIONS

- Navy equipment

LC

CHARACTERISTICS

	VALUES/REMARKS
--	----------------

ELECTRICAL CHARACTERISTICS

Impedance	50 Ω
Frequency range	DC - 5 GHz
V.S.W.R.	< 1.10 at 1 GHz
Test voltage	5 000 V eff. (50 Hz)
Working voltage max	5 000 V
Max power	60 kW

MECHANICAL CHARACTERISTICS

Life	500 matings
------	-------------

ENVIRONMENTAL CHARACTERISTICS

Temperature range	PTFE insulator : -55°C / + 155°C polyethylene insulator : -40°C / + 70°C silicone rubber gasket : -55°C / + 155°C neoprene gasket : -55°C / + 125°C
Salt spray	48H

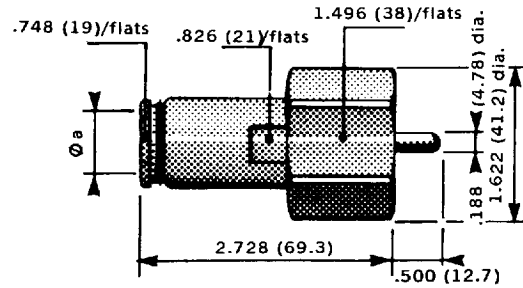
MATERIALS

Contacts and interfaces	Bronze
Other pieces	Brass
Insulators	PTFE or polyethylene
Gaskets	Silicone rubber or neoprene

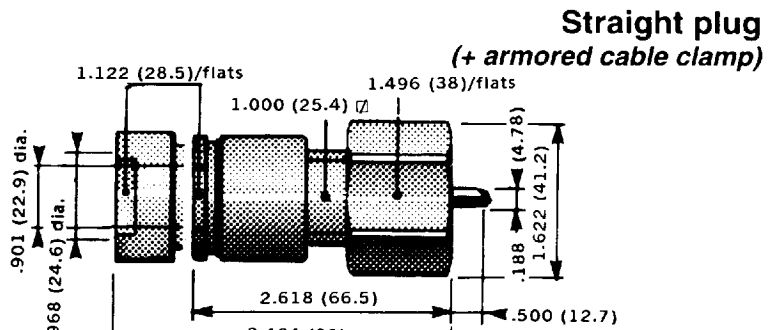
CABLE CLAMP TYPE FOR FLEXIBLE CABLE

Straight plugs

CABLE GROUP	10 + 11/50	11/50
PART NUMBER	R 181 020 ●	R 181 021 ●
a Dia.	.440 (11.2)	.480 (12.2)
Insulator	PTFE	
Gasket	Neoprene	Silicone rubber
Assembly code	M08 page 19	

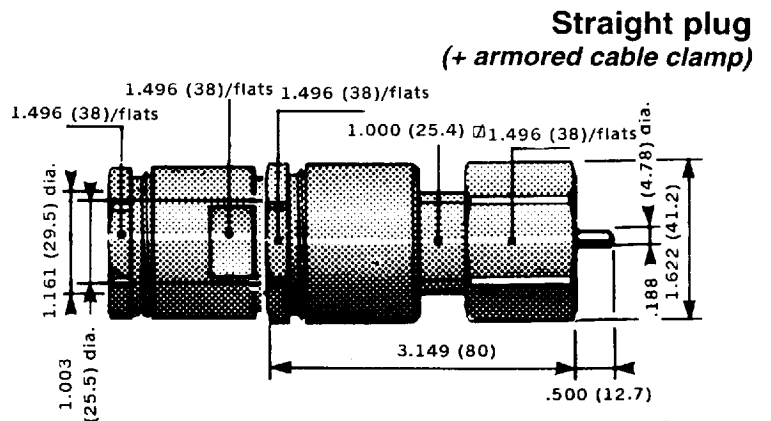


CABLE GROUP	22/50	22/50 armored
PART NUMBER	R 181 029	R 181 029 + R 280 129 ●
Gasket	Silicone rubber	
Assembly code	M09 page 20	M10 page 20

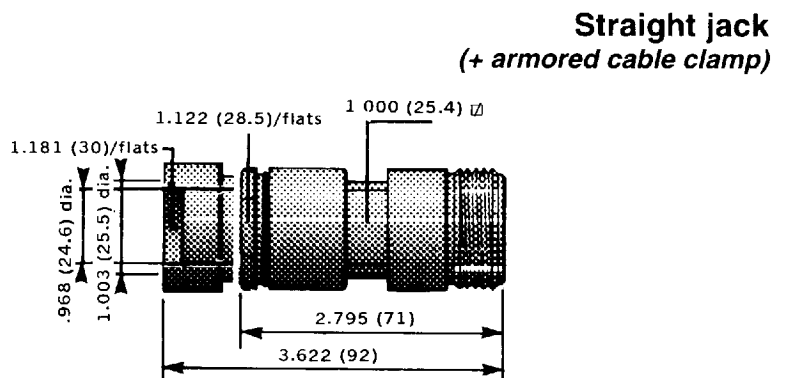


The center conductor and dielectric of the cable are used as center contact and insulator.

CABLE GROUP	22/50	22/50 armored
PART NUMBER	R 181 032 ●	R 181 032 ● + R 280 131
Insulator	Polyethylene	
Gasket	Silicone rubber	
Assembly code	M11 page 21	M12 page 22



CABLE GROUP	22/50	22/50 armored
PART NUMBER	R 181 209 ●	R 181 209 ● + R 280 129 ●
Insulator	Polyethylene	
Gasket	Silicone rubber	
Assembly code	M13 page 23	M14 page 23

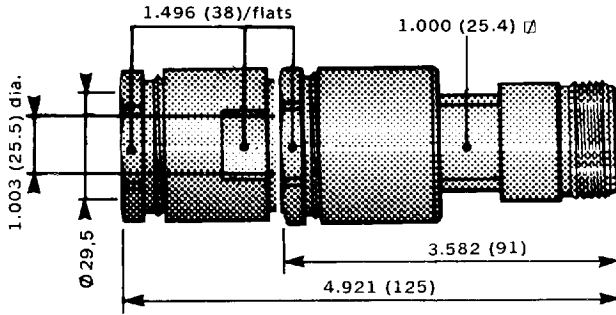


● Manufactured upon request. Please consult us.

LC

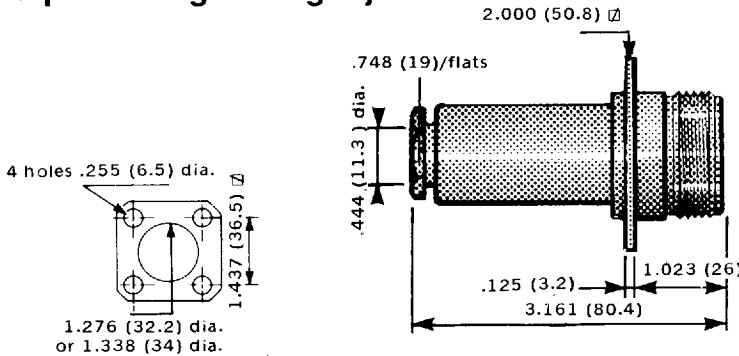
CABLE CLAMP TYPE FOR FLEXIBLE CABLE

Straight jack (+ armored cable clamp)



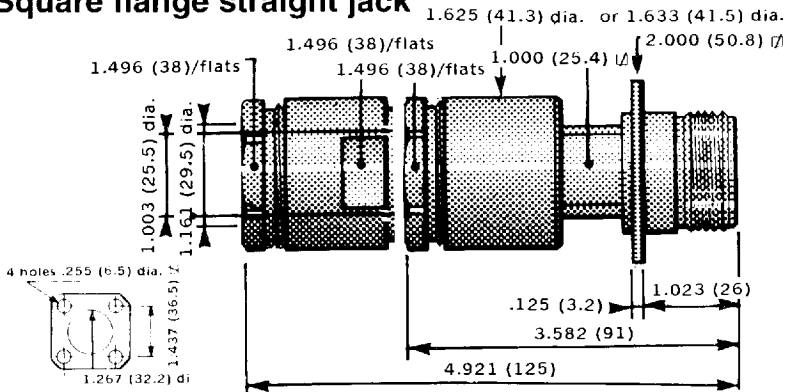
CABLE GROUP	22/50	22/50 armé
PART NUMBER	R 181 212 ●	R 181 212 ● + R 280 131
Insulator	Polyethylene	
Gasket	Neoprene	
Assembly code	M11 page 21	M12 page 22

Square flange straight jack



CABLE GROUP	10 + 11/50
PART NUMBER	R 181 256 ●
Insulator	PTFE
Gasket	Neoprene
Assembly code	M15 page 24

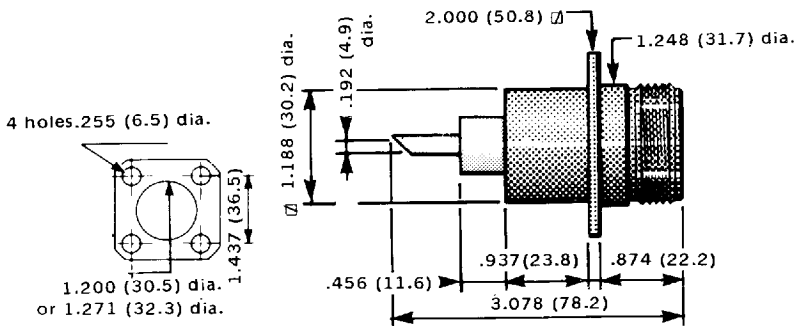
Square flange straight jack



CABLE GROUP	22/50	22/50 armé
PART NUMBER	R 181 262 ●	R 181 262 ● + R 280 131
Insulator	Polyethylene	
Gasket	Neoprene	
Assembly code	M11 page 21	M12 page 22

FLANGE MOUNT RECEPTACLE

Square flange straight jack (solder pot)



PART NUMBER	R 181 404
Insulator	PTFE

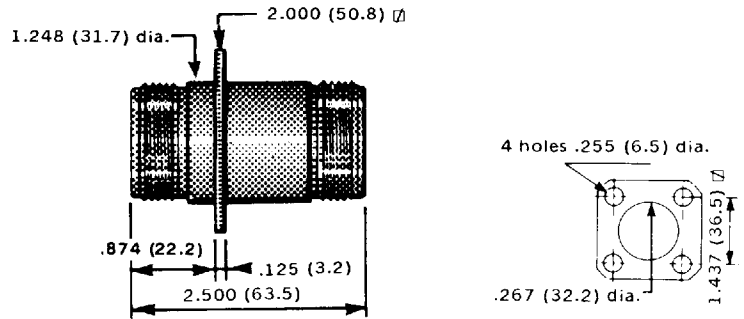
● Manufactured upon request. Please consult us.



IN SERIES ADAPTERS

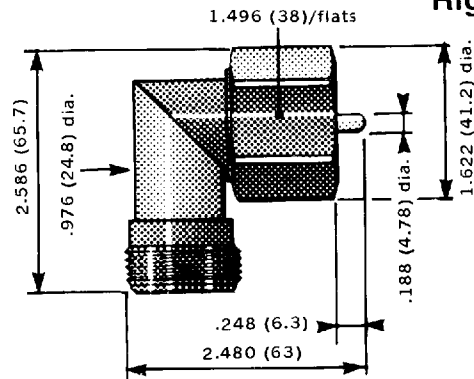
Square flange straight jack/jack

REFERENCE	R181715 ●
EQUIV. MIL	UG 287 /U
Isolant	Polyethylene



REFERENCE	R181770
EQUIV. MIL	UG 216 /U
Isolant	Polyethylene
Joint	Neoprene

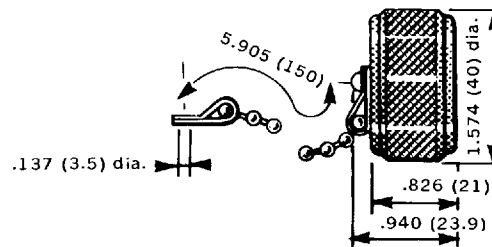
Right angle plug/jack



CAP

Plug dust cap (with chain)

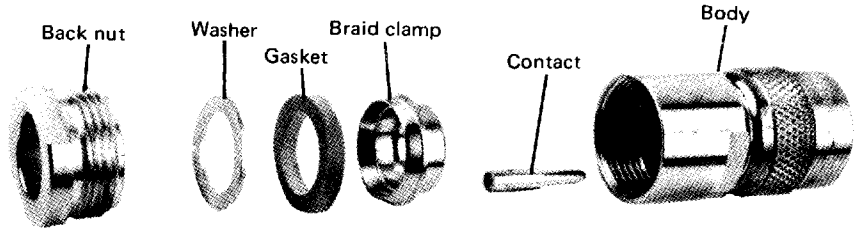
REFERENCE	R181811 ●
Joint	Neoprene



● Manufactured upon request. Please consult us.

ASSEMBLY INSTRUCTIONS

M01-M02 M03-M04



M01

R 166 005

M02

R 166 012
R 166 256
R 166 262
R 166 326
R 166 328

M03

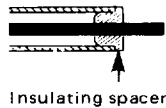
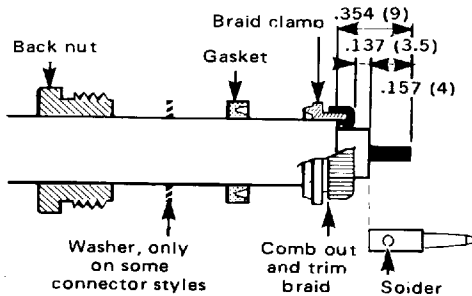
R 166 018
R 166 218
R 166 268
R 166 332

M04

R 166 168

Tooling

- Soldering tweezers (100 or 250 W)
(alternatively soldering iron 30 W)
- Tin solder 180°C Ø0,5 (Pb + Ag)
- Scalpel
- Scissors



Insulating spacer

Dim.	M01	M02	M03	M04
A	.354 (9)	.374 (9.5)	.295 (7.5)	.255 (6.5)
B	.138 (3.5)	.197 (5)	.059 (1.5)	
B*		.157 (4)	.020 (0.5)	
C	.157 (4)	.118 (3)	.157 (4)	3

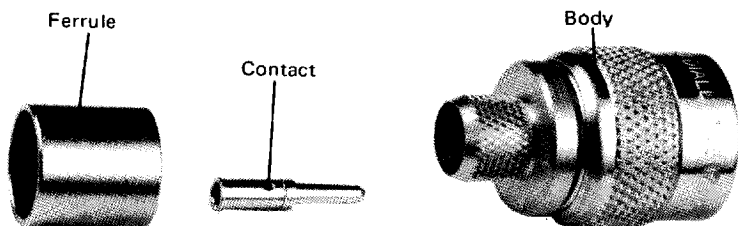
B* : dimension for air spaced cable.

For air spaced cable :

- 1 - 1 Push the insulating spacer into the dielectric.
- 1 - 2 Solder the contact flush against the dielectric.

ASSEMBLY INSTRUCTIONS

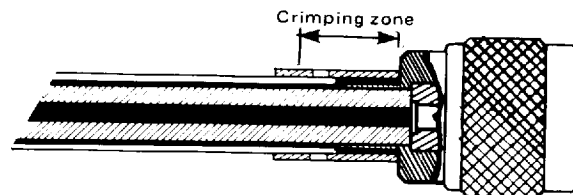
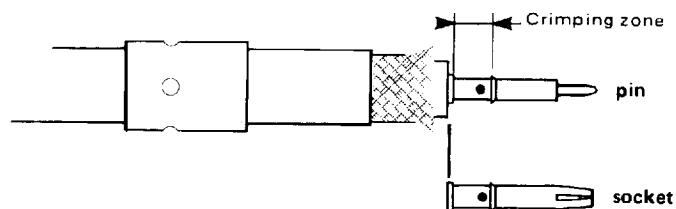
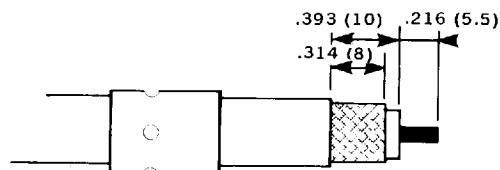
M05



R 166 075

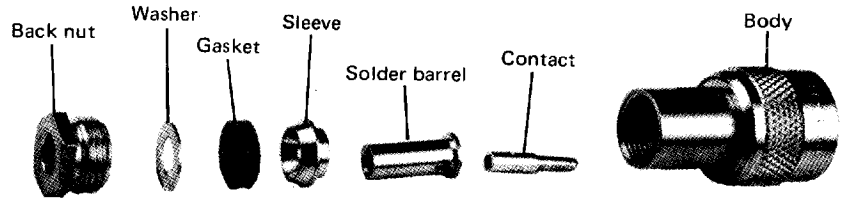
Tooling

- RADIALL crimp tool R 282 231
or
- RADIALL crimp tool R 282 240
+ jaws R 282 235 116
or
- Buchanan crimp tool 612 648
+ jaws 613 148



ASSEMBLY INSTRUCTIONS

M06-M07



*Solder barrel only for R 166 052

M06

R 166 052

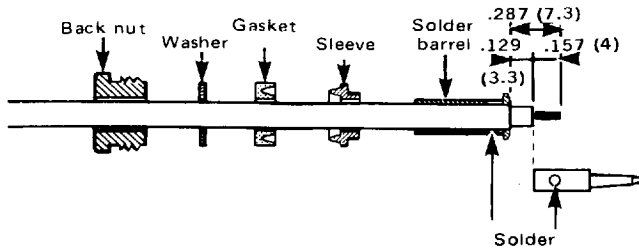
M07

R 166 053

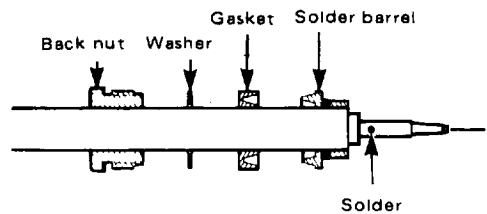
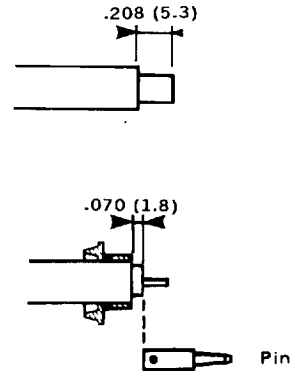
Tooling

- Soldering tweezers (100 or 250 W)
(alternatively soldering iron 30 W)
- Tin solder 180°C Ø0,5 (Pb + Ag)
- Scalpel
- Scissors

M06

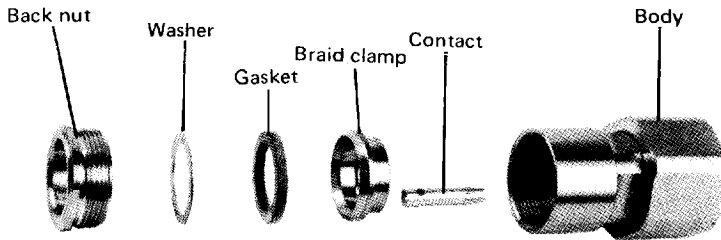


M07



ASSEMBLY INSTRUCTIONS

M08



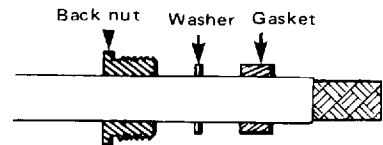
R 181 020

R 181 021

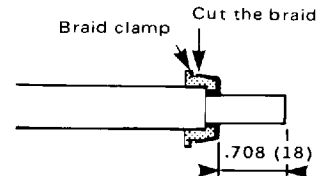
Tooling

- Soldering tweezers (100 or 250 W)
(alternatively soldering iron 30 W)
- Tin solder 180°C Ø0,5 (Pb + Ag)
- Scalpel
- Scissors

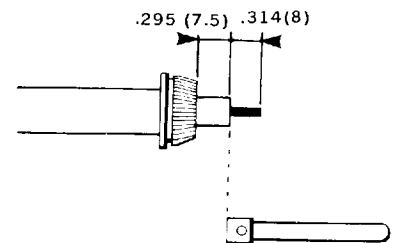
Slide the back nut, washer and gasket over the cable.



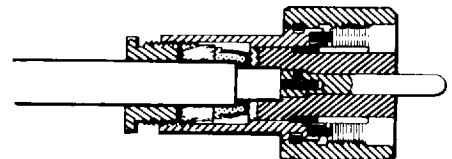
Fold back the braid over the braid clamp and trim it.



Strip off dielectric from center conductor.
Solder the center contact.

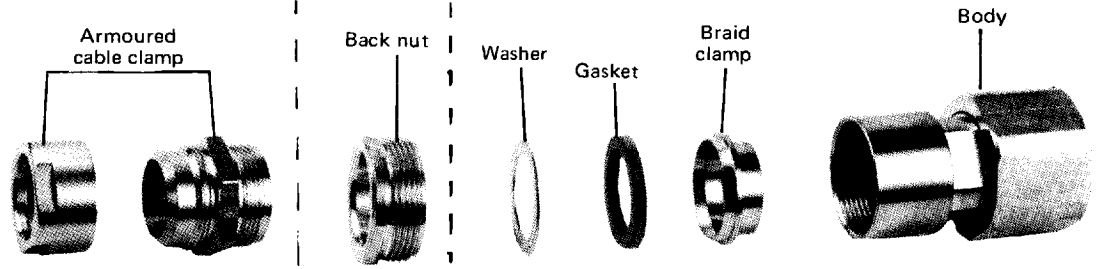


Screw the back nut into the body.



ASSEMBLY INSTRUCTIONS

M09 M10



* Armoured cable clamp P/N R 280 129 in place of back nut.

M09

R 181 029

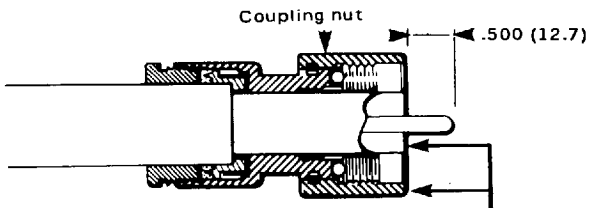
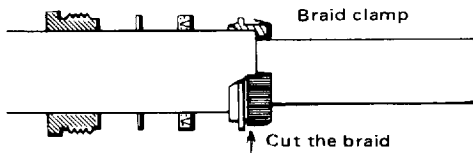
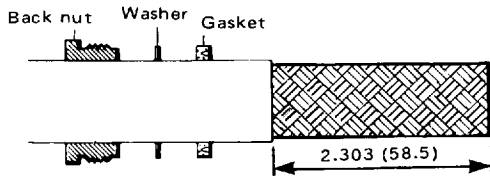
M10

R 181 029
+ R 280 129

Tooling

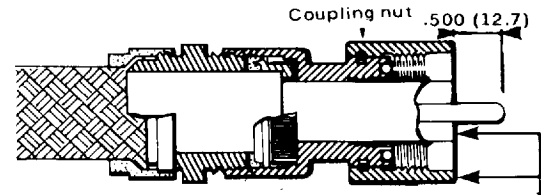
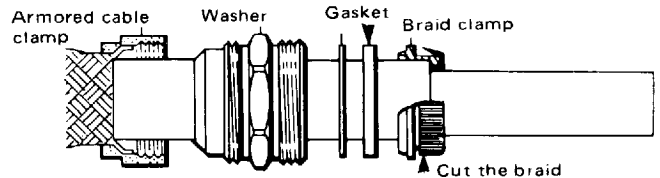
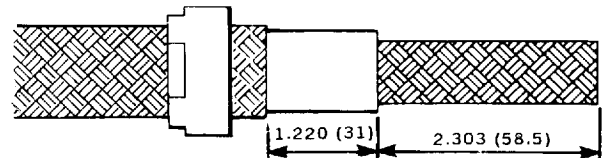
- Scalpel
- Scissors

M09



Strip the dielectric from the solid center conductor flush with the face of the coupling nut
Round off the end of the center conductor with a file.

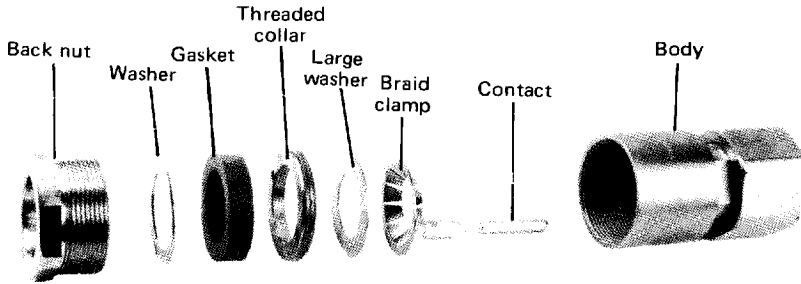
M10



Strip the dielectric from the solid center conductor flush with the face of the coupling nut
Round off the end of the center conductor with a file.

ASSEMBLY INSTRUCTIONS

M11

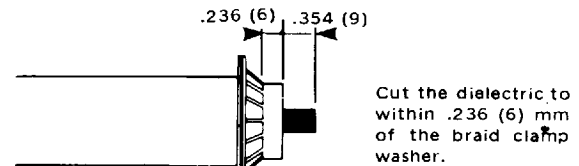
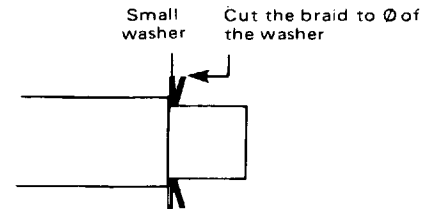
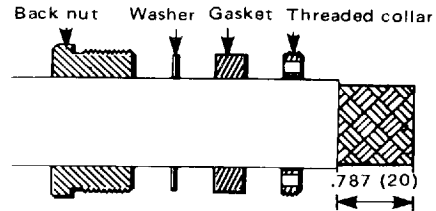
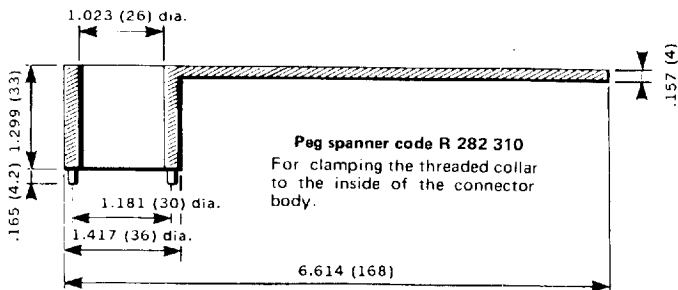


R 181 032
R 181 212

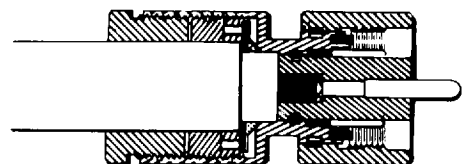
R 181 262

Tooling

- Soldering tweezers (100 or 250 W)
(alternatively soldering iron 30 W)
- Tin solder 180°C Ø0,5 (Pb + Ag)
- Scalpel
- Scissors



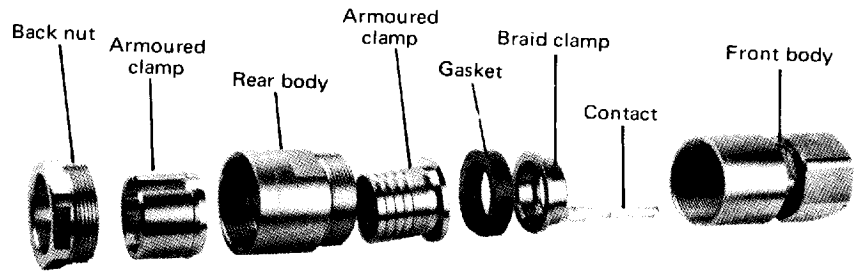
Solder the center contact



Screw in and tighten the threaded collar with the help of the peg spanner R 282 310 and then fit the backnut etc. in place.

ASSEMBLY INSTRUCTIONS

M12

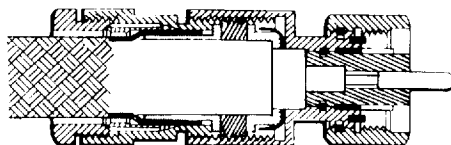
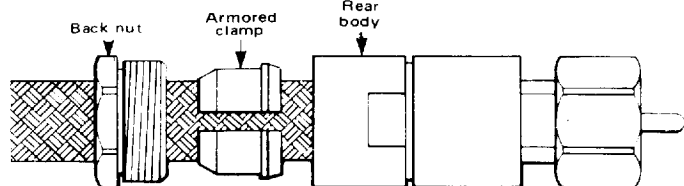
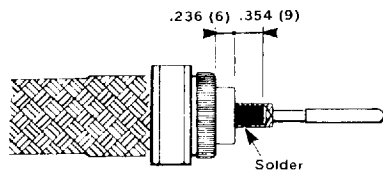
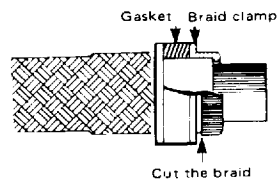
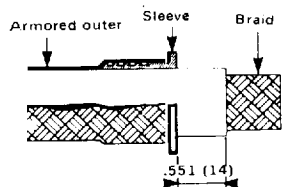
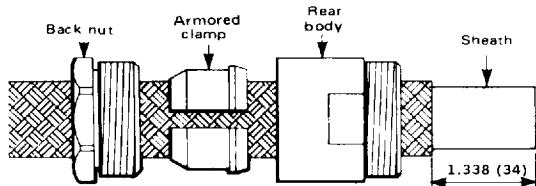


R 181 032
+ R 280 131
R 181 212
+ R 280 131

R 181 262
+ R 280 131

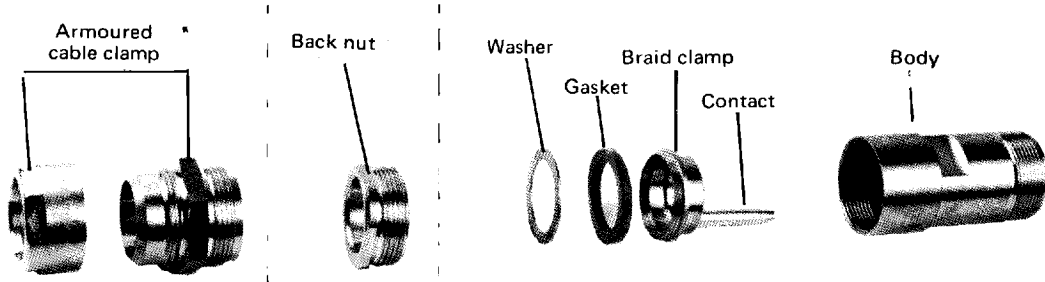
Tooling

- Soldering tweezers (100 or 250 W)
(alternatively soldering iron 30 W)
- Tin solder 180°C Ø0,5 (Pb + Ag)
- Scalpel
- Scissors



Screw the rear body into the body of the connector.
Push home the armored cable clamp.
Screw the back nut into the body.

ASSEMBLY INSTRUCTIONS



M13

M14

* Armoured cable clamp P/N R 280 129 in place of back nut.

M13

R 181 209

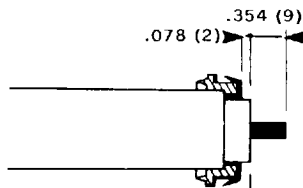
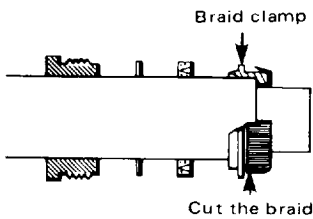
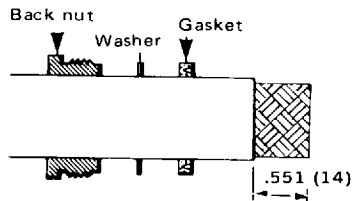
M14

R 181 209
+ R 280 129

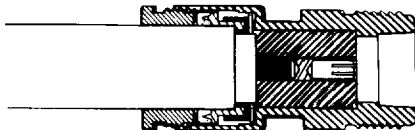
Tooling

- Soldering tweezers (100 or 250 W)
(alternatively soldering iron 30 W)
- Tin solder 180°C Ø0,5 (Pb + Ag)
- Scalpel
- Scissors

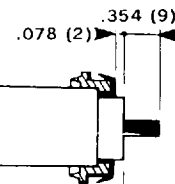
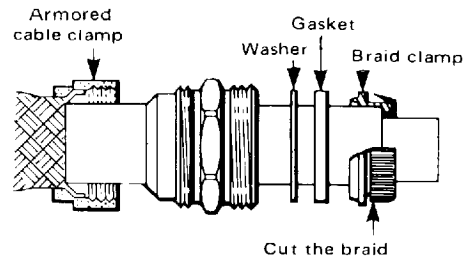
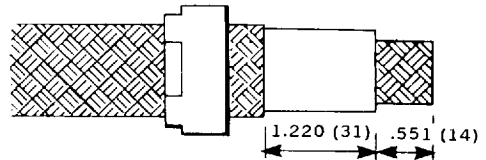
M13



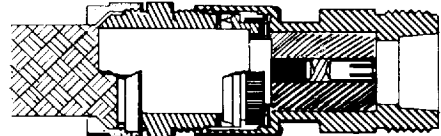
Cut the dielectric to within .078 (2) of the braid. Solder the center contact.



M14

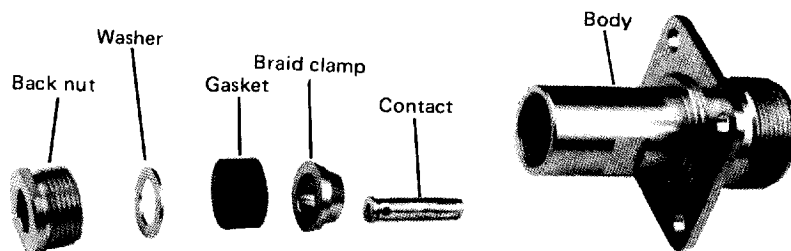


Cut the dielectric to within .078 (2) of the braid. Solder the center contact.



ASSEMBLY INSTRUCTIONS

M15

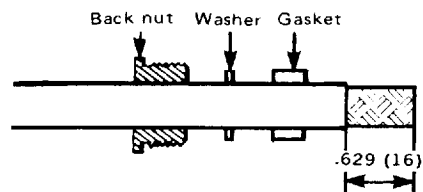


R 181 256

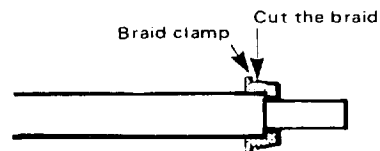
Tooling

- Soldering tweezers (100 or 250 W)
(alternatively soldering iron 30 W)
- Tin solder 180°C Ø0,5 (Pb + Ag)
- Scalpel
- Scissors

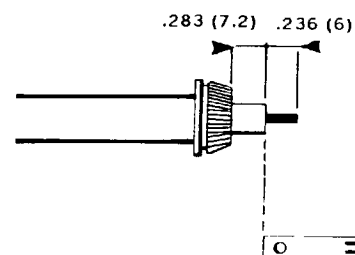
Slide the back nut, washer and gasket over the cable.



Fold back the braid over the braid clamp and trim it.



Strip off dielectric from center conductor.
Solder the center contact.



FLEXIBLE CABLES (Ø mm/lmp Ω)							SEMI-RIGID CABLES
5 / 50	6 / 75	6 / 93	10 / 50	11 / 50	22 / 50	22 / 50 armé	
RG 58C/U RG 141A/U RG 142B/U RG 223/U RG 303/U RG 400/U KX 15 KX 23	RG 59B/U RG 140/U KX 6A KX 25 KX 52 KX 53	RG 62B/U RG 71B/U KX 30	RG 165/U RG 213/U RG 215 KX 4	RG 119/U RG 214/U RG 225/U KX 13 KX 24	RG 18A/U RG 218/U 50 GD KX14	RG 219/U 50 GP	RG 401/U RG 402/U KS 2 KS 3

CABLES AND CORRESPONDING CONNECTORS

C SERIES FOR FLEXIBLE CABLES

CABLES	DESIGNATION	CODE	PAGE
Ø5/50Ω	Straight plug cable clamp	R 166 005	6
	Flange straight jack cable clamp	R 166 256	7
	Bulkhead panel sealed straight jack	R 166 326	7
Ø6/75+93Ω	Straight plug cable clamp	R 166 012	6
	Flange straight jack cable clamp	R 166 262	7
	Bulkhead panel sealed straight jack	R 166 328	7
Ø10 +Ø11/50Ω	Straight plug cable clamp	R 166 018	6
	Right angle plug cable clamp	R 166 168	6
	Straight jack cable clamp	R 166 218	6
	Flange straight jack cable clamp	R 166 268	7
	Bulkhead panel sealed straight jack	R 166 332	7
	Straight plug crimp	R 166 075	8

LC SERIES FOR FLEXIBLE CABLES

CABLES	DESIGNATION	CODE	PAGE
Ø11/50Ω	Straight plug cable clamp	R 181 021	13
Ø10 +Ø11/50Ω	Straight plug cable clamp	R 181 020	13
	Flange straight jack cable clamp	R 181 256	14
Ø22/50Ω	Straight plug cable clamp	R 181 029	13
	Straight plug cable clamp	R 181 032	13
	Straight jack cable clamp	R 181 209	13
	Straight jack cable clamp	R 181 212	14
	Flange straight jack cable clamp	R 181 262	14
Ø22/50Ω armé	Armored cable clamp	R 280 129	13
	Armored cable clamp	R 280 131	13-14

C SERIES FOR SEMI-RIGID CABLES

CABLES	DESIGNATION	CODE	PAGE
.141"	Straight plug cable clamp	R 166 052	8
.250"	Straight plug cable clamp	R 166 053	8

DIMENSION TABLE FOR APPLICABLE COAXIAL CABLES

The following table gives an indication of coaxial cable dimensions.
For further details, refer to standards or cable manufacturer specifications.
All dimensions are nominal or specified values

PART NUMBER	IMP Ω	DIAMETER in inch (mm)					CABLE GROUP
		CORE		DIELECTRIC	MAX SCREEN	JACKET	
		Composition	Nom. Dia.				

MIL-C-17-F CABLES

RG 18A/U	50						(22)/50
RG 58C/U	50	19 X .007(0.18)	.035(0.89)	.116(2.95)	.150(3.81) S	.195(4.95)	.197 (5)/50
RG 59B/U	75	single core	.022(0.57)	.146(3.71)	.191(4.85) S	.242(6.15)	.236 (6)/75
RG 62B/U	93	single core	.025(0.64)	.146(3.71)	.191(4.85) S	.242(6.15)	.236 (6)/93
RG 71B/U	93	single core	.025(0.64)	.146(3.71)	.208(5.28) D	.245(6.22)	.236 (6)/93
RG 119/U	50	single core	.102 (2.59)	.332(8.43)	.414(10.52) D	.465(11.81)	.433 (11)/50
RG 140/U	75	single core	.025(0.64)	.146(3.71)	.176(4.47) S	.233(5.92)	.236 (6)/75
RG 141A/U	50	single core	.039(0.99)	.116(2.95)	.146(3.71) S	.190(4.83)	.197 (5)/50
RG 142B/U	50	single core	.037(0.94)	.116(2.95)	.171(4.34) D	.195(4.95)	.197 (5)/50
RG 165/U	50	7 X .031(0.80)	.094(2.40)	.285(7.25)	.340(8.64) S	.409(10.40)	.394 (10)/50
RG 213/U	50	7 X .030(0.75)	.089(2.25)	.285(7.25)	.340(8.64) S	.405(10.29)	.394 (10)/50
RG 214/U	50	7 X .030(0.75)	.089(2.25)	.285(7.25)	.360(9.14) D	.425(10.80)	.433 (11)/50
RG 215	50	7 X .030(0.75)	.089(2.25)	.285(7.25)	.340(8.64) S	.405(10.29)	.394 (10)/50
RG 218/U	50	singlecore	.195 (4.95)	.680(17.27)	.760(19.30) S	.870(22.09)	.866 (22)/50
RG 219/U	50	singlecore	.195 (4.95)	.680(17.27)	.760(19.30) S	.945(24)	.866 (22)/50 (A)
RG 223/U	50	single core	.035(0.89)	.116(2.95)	.176(4.47) D	.212(5.38)	.197 (5)/50
RG 225/U	50	7 X .031(0.80)	.094(2.40)	.285(7.25)	.360(9.14) D	.429(10.90)	.433 (11)/50
RG 303/U	50	single core	.037(0.94)	.116(2.95)	.146(3.71) S	.170(4.32)	.197 (5)/50
RG 400/U	50	19 X .007(0.18)	.039(0.99)	.116(2.95)	.171(4.34) D	.195(4.95)	.197 (5)/50
RG401/U	50	singlecore	.064(1.62)	.209(5.31)	—	.250(6.35)	.250"
RG 402/U	50	single core	.036(0.91)	.117(2.98)	—	.141(3.58)	.141"

NF-C 93-550 FLEXIBLE CABLES / NF-C 93-551 SEMI-RIGID CABLE

KX 4	50	7 X .029(0.75)	.089(2.25)	.285(7.25)	.340(8.64) S	.405(10.29)	.394 (10)/50
KX 6A	75	7 X .008(0.20)	.024(0.60)	.145(3.70)	.191(4.85) S	.240(6.10)	.236 (6)/75
KX 13	50	7 X .029(0.75)	.089(2.25)	.285(7.25)	.360(9.14) D	.425(10.80)	.433 (11)/50
KX 14	50						.866 (22)/50
KX 15	50	19 X .007(0.18)	.035(0.89)	.116(2.95)	.150(3.81) S	.195(4.95)	.197 (5)/50
KX 23	50	7 X .013(0.34)	.040(1.02)	.116(2.95)	.171(4.34) D	.201(5.10)	.197 (5)/50
KX 24	50	7 X .031(0.80)	.094(2.40)	.285(7.25)	.360(9.14) D	.429(10.90)	.433 (11)/50
KX 25	75	7 X .009(0.23)	.028(0.71)	.146(3.70)	.176(4.47) S	.232(5.90)	.236 (6)/75
KX 30	93	single core	.025(0.64)	.146(3.70)	.191(4.85) S	.242(6.15)	.236 (6)/93
KX 52	75	single core	.025(0.64)	.146(3.70)	.185(4.70) S	.240(6.10)	.236 (6)/75
KX 53	75	7 X .009(0.23)	.026(0.67)	.146(3.70)	.185(4.70) S	.240(6.10)	.236 (6)/75
KS 2	50	single core	.036(0.91)	.117(2.98)	—	.141(3.58)	.141"
KS 3	50	single core	.064(1.63)	.210(5.33)	—	.250(6.35)	.250"

S : 1 braid ; D : 2 braids ; A : armored.

INDEX OF PART NUMBERS

P/N	PAGE	P/N	PAGE	P/N	EQUIV. MIL
C SERIES		LC SERIES		C SERIES	
R 166 005	6	R 181 020	13	R 166 005	UG 709 B/U
R 166 012	6	R 181 021	13	R 166 012	UG 627 B/U
R 166 018	6	R 181 029	13	R 166 018	UG 573 B/U
R 166 052	8	R 181 032	13	R 166 168	UG 710 B/U
R 166 053	8	R 181 209	13	R 166 218	UG 572 A/U
R 166 075	8	R 181 212	14	R 166 268	UG 571 A/U
R 166 168	6	R 181 256	14	R 166 328	UG 631 A/U
R 166 218	6	R 181 262	14	R 166 332	UG 570 A/U
R 166 256	7	R 181 404	14	R 166 404	UG 568 /U
R 166 262	7	R 181 715	15	R 166 703	UG 642 A/U
R 166 268	7	R 181 770	15	R 166 705	UG 643 A/U
R 166 326	7	R 181 811	15	R 166 753	UG 701 /U
R 166 328	7			R 166 770	UG 567 A/U
R 166 332	7	R 280 129	13	R 166 780	UG 566 A/U
R 166 404	8	R 280 131	13-14		
R 166 607	8			LC SERIES	
R 166 703	9			R 181 715	UG 287 /U
R 166 705	9			R 181 770	UG 216 /U
R 166 753	9				
R 166 770	9				
R 166 780	10				
R 166 811	10				
R 280 019	10				
R 280 116	10				
R 280 505	10				

BETWEEN SERIES ADAPTERS C AND LC SERIES

CODE	BETWEEN SERIES ADAPTERS		EQUIV. MIL
R 191 429	C plug	BNC jack	UG 636 A/U
R 191 703	C jack	N plug	UG 564 /U
R 191 705	C plug	N jack	UG 565 A/U
R 191 708	C jack	N jack (with flange)	
R 191 921	C jack	UHF plug	UG 637 /U
R 191 931	C jack	HN plug	UG 702 /U
R 191 933	C plug	HN jack	UG 703 /U
R 191 741	LC jack	N jack	
R 191 742	LC jack	N jack (with flange)	
R 191 745	LC plug	N jack	